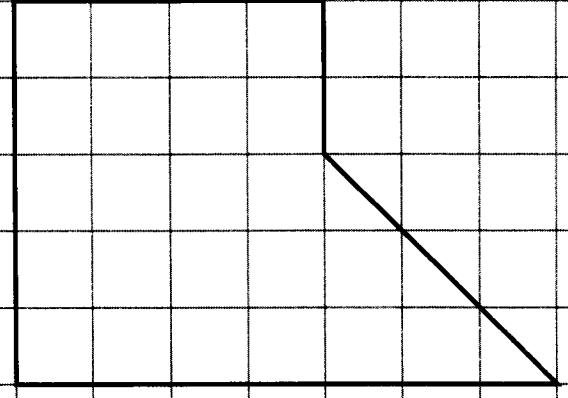
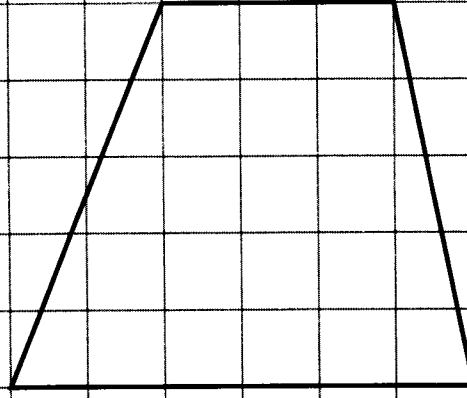
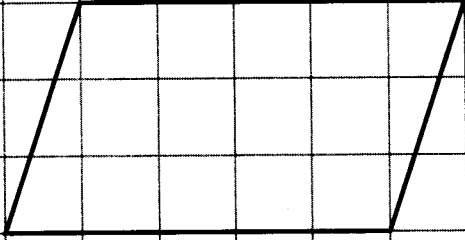
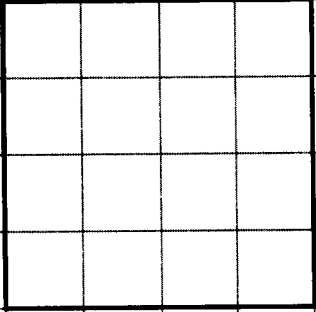


AREA

Page	Description
1	Area of a square, rectangle, parallelogram, trapezium, triangle and a compound shape
2	Area of squares, rectangles, parallelograms, trapeziums, triangles and compound shapes
3	Area and circumference of circles
4	Area and perimeter of circles, part circles and compound shapes involving circles
5	Area of compound shapes involving circles
6	Area and perimeters of sectors of circles

Scale

1cm



Name

Name

Name

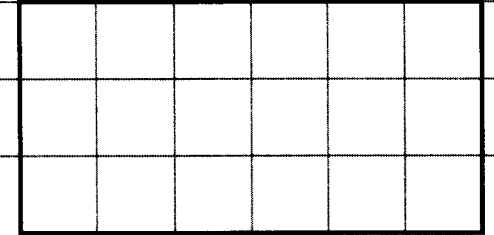
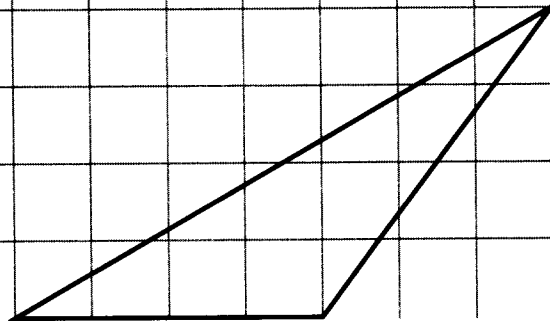
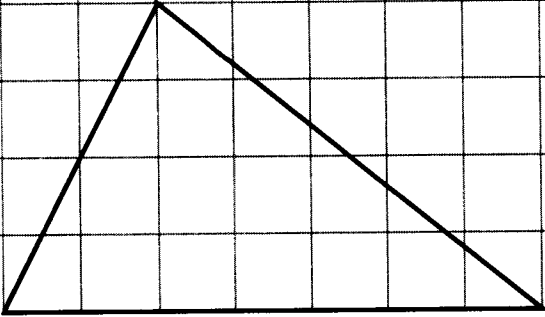
Name

Area

Area

Area

Area



Name

Name

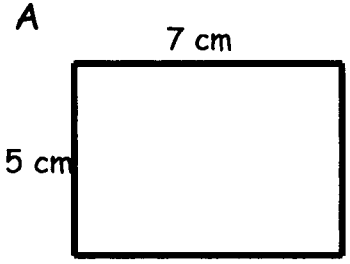
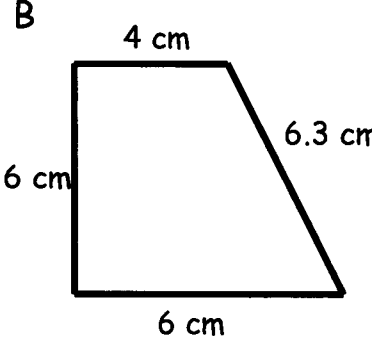
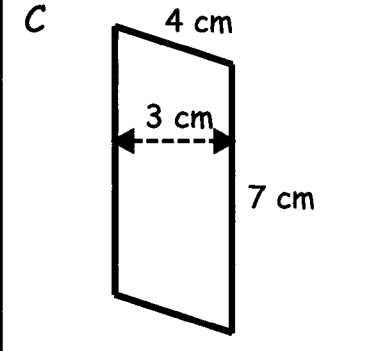
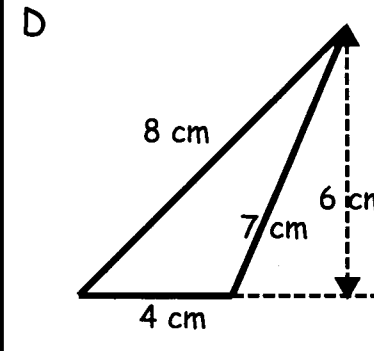
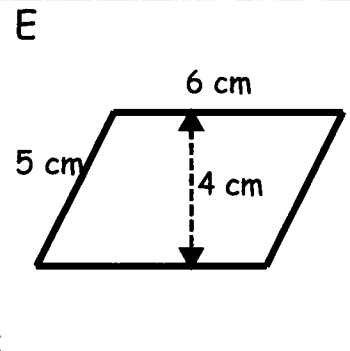
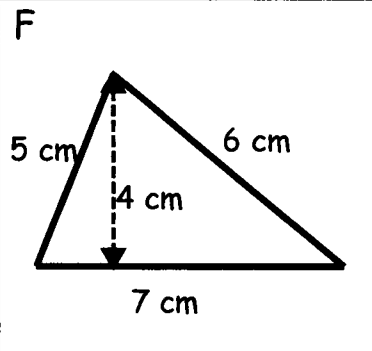
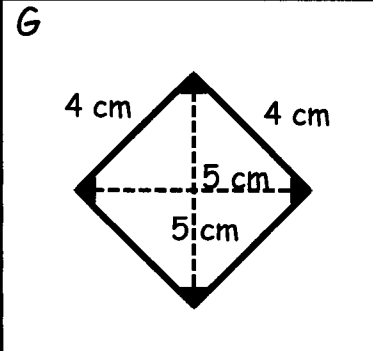
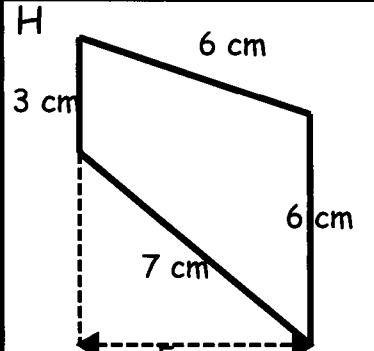
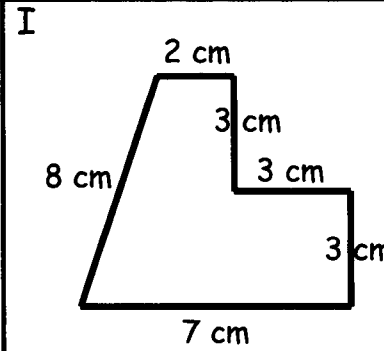
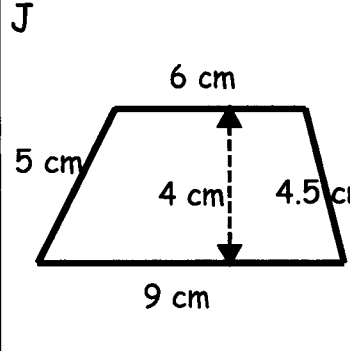
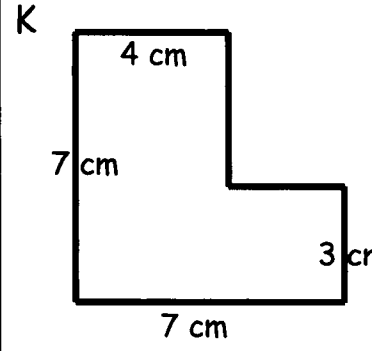
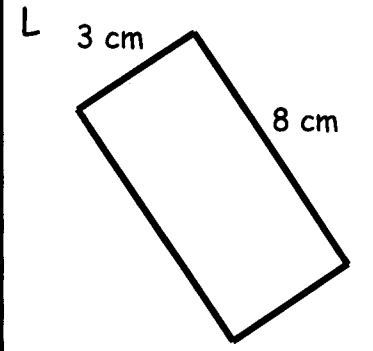
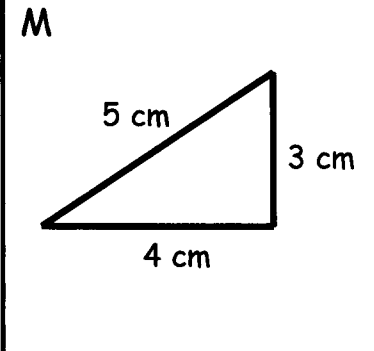
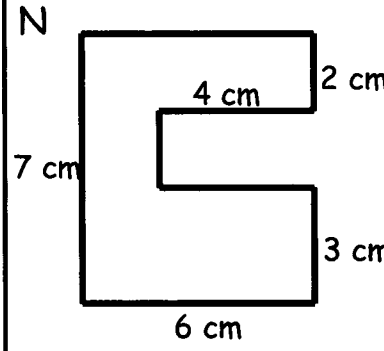
Name

Area

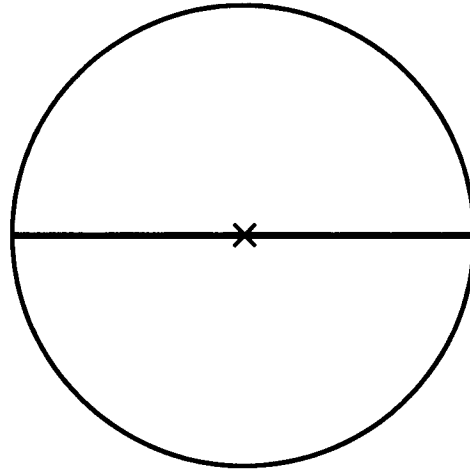
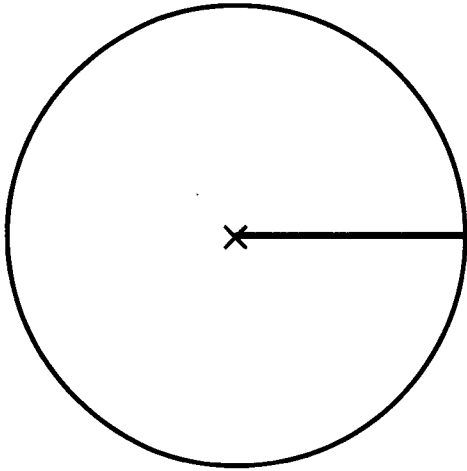
Area

Area

①

<p>A</p> 	<p>B</p> 	<p>C</p> 	<p>D</p> 	<p>1) Cut out all the cards 2) Sort the cards according to their shape 3) Stick the cards in groups in your book 4) By the side of each shape work out its area and perimeter</p>
<p>E</p> 	<p>F</p> 	<p>G</p> 	<p>H</p> 	<p>I</p> 
<p>J</p> 	<p>K</p> 	<p>L</p> 	<p>M</p> 	<p>N</p> 
<p>Area of square/rectangle base x height</p>	<p>Area of triangle base x height ÷ 2</p>	<p>Area of parallelogram base x height</p>	<p>Area of trapezium add parallel sides x height ÷ 2</p>	<p>Area of compound shape Split into shapes</p>

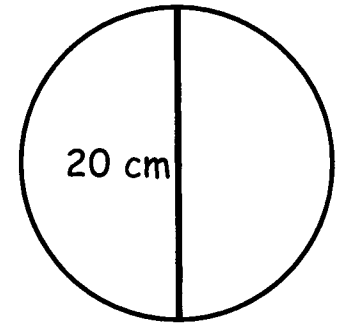
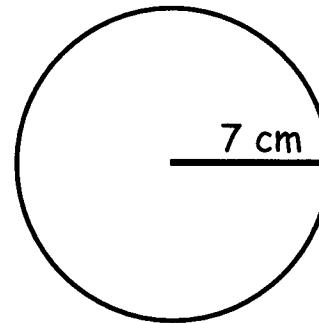
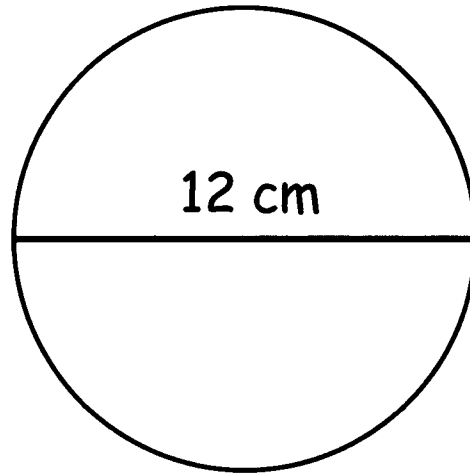
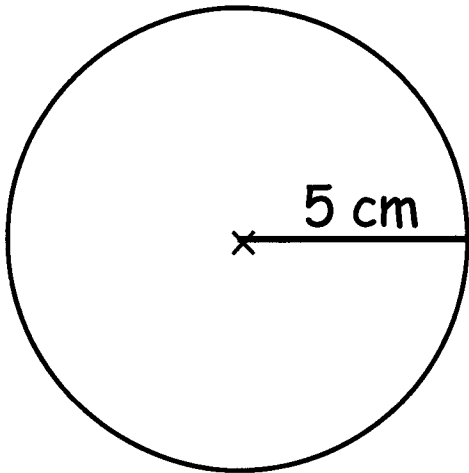
Area and Circumference of a Circle



$\pi = 3.142$ (pi a Greek letter)
On your calculator shift $\times 10^x$

$$\text{Area} = \pi \times r^2$$

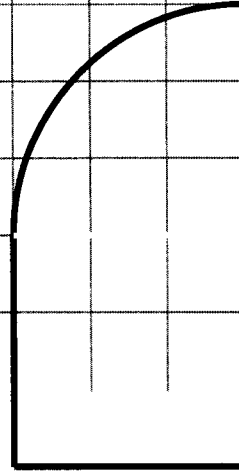
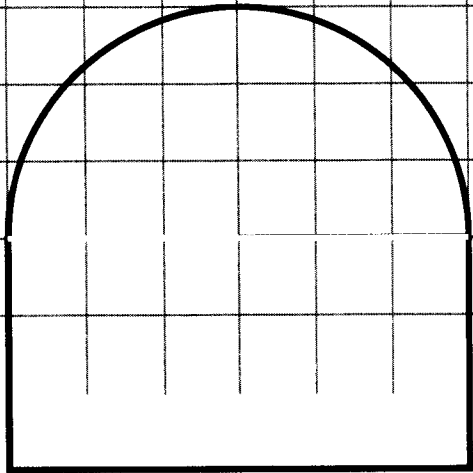
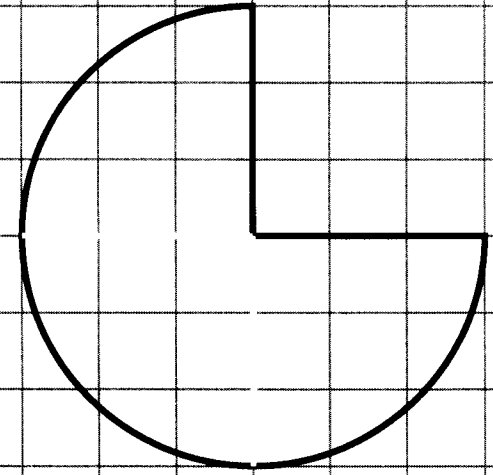
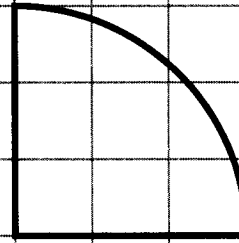
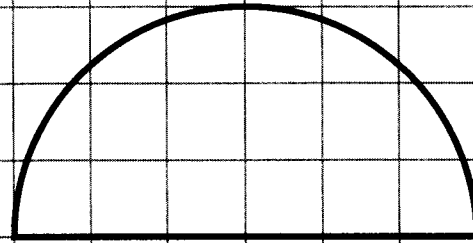
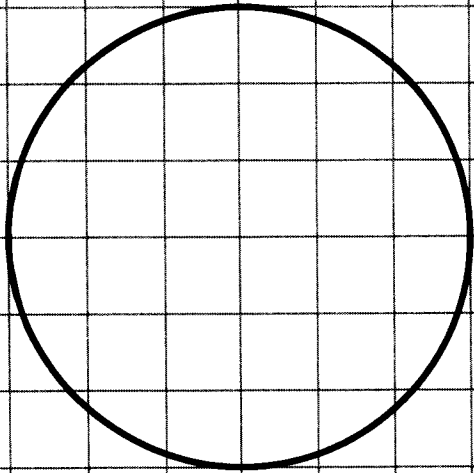
$$\text{Circumference} = \pi \times d$$



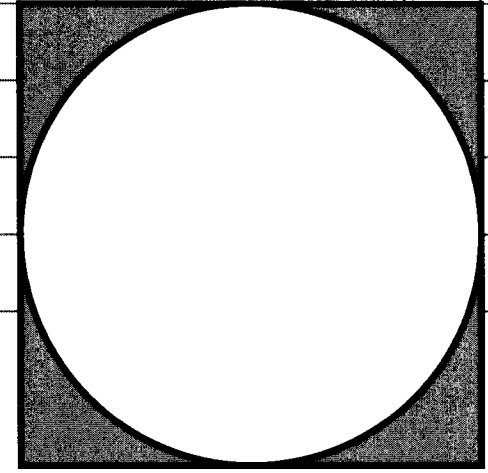
Find the area and perimeter of each shape

Scale

1cm

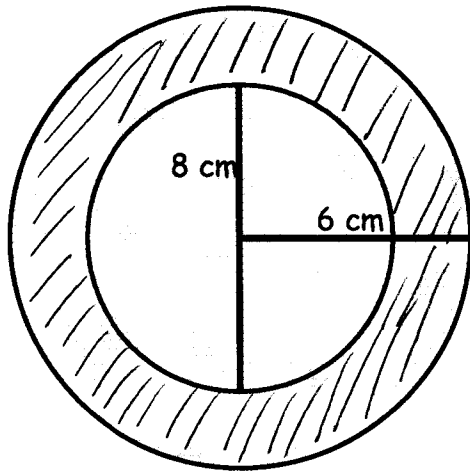


The shaded area only

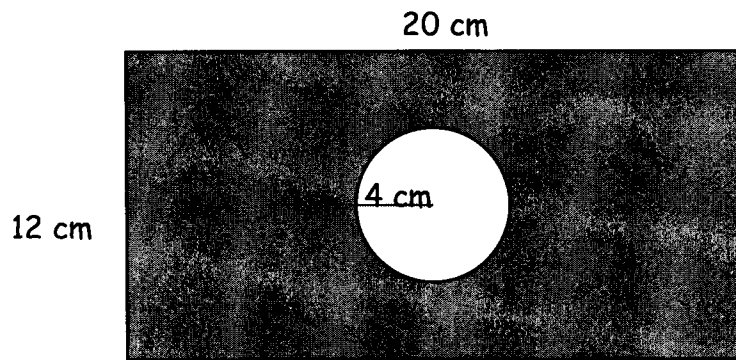


4

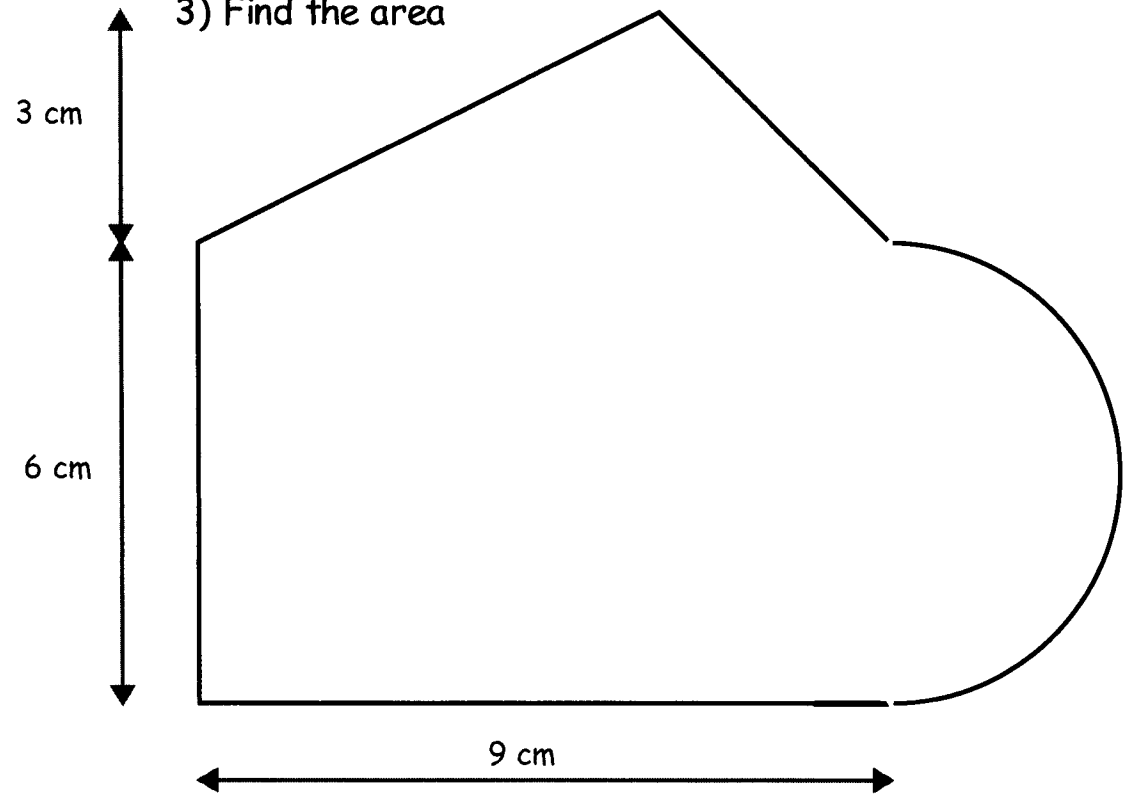
1) Find the shaded area



2) Find the shaded area

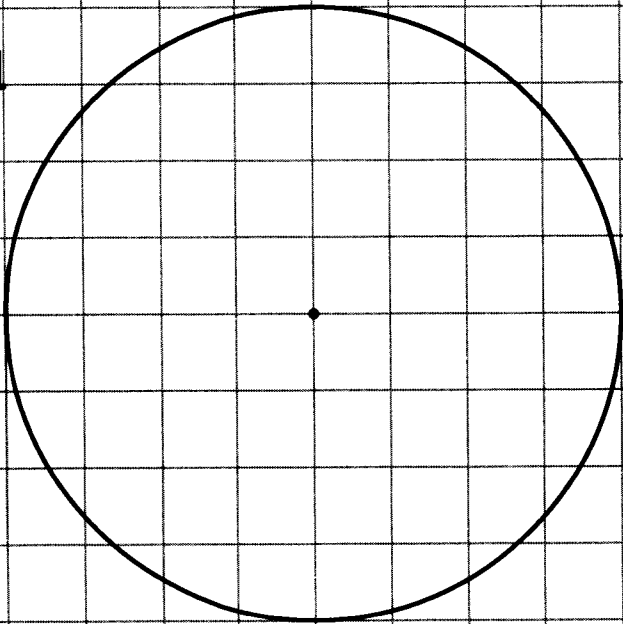


3) Find the area

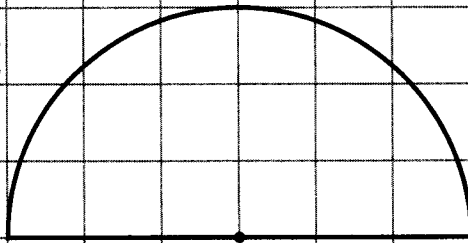


Find the area and perimeter of these shapes. The shapes are drawn on a 1 cm^2 grid

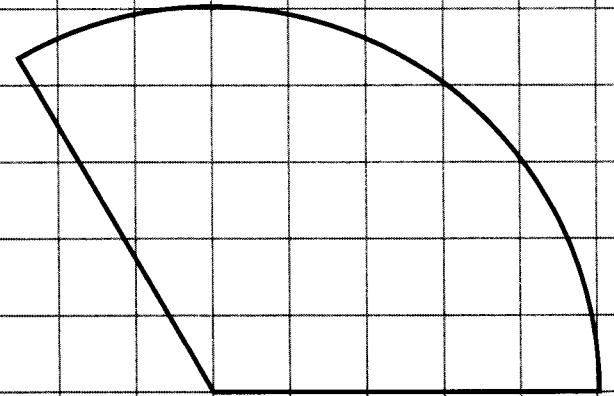
1



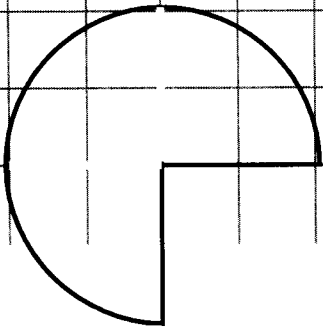
2



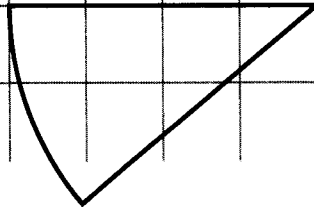
3



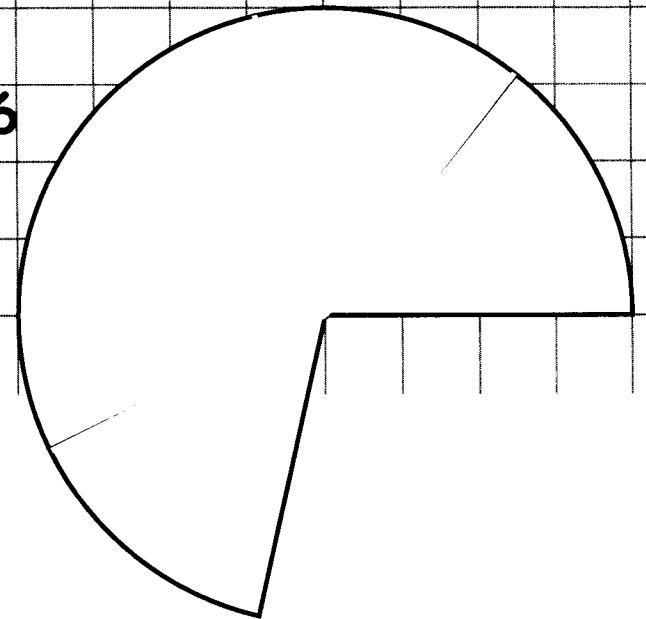
4



5



6



6