
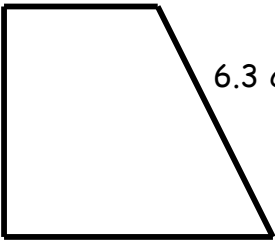
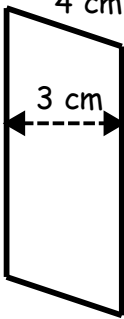
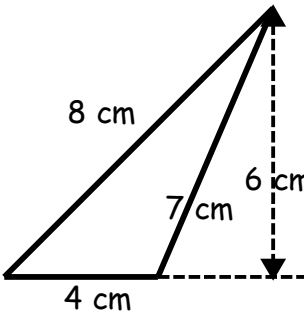
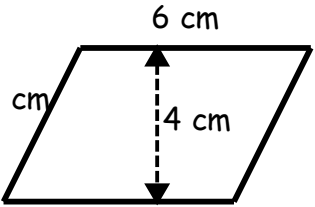
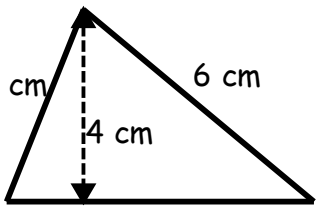
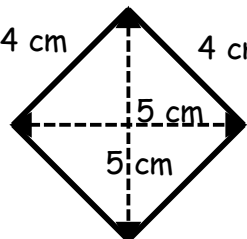
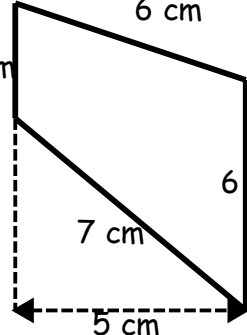
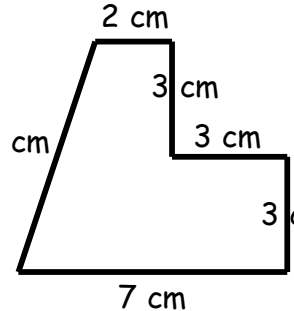
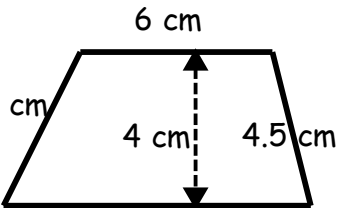
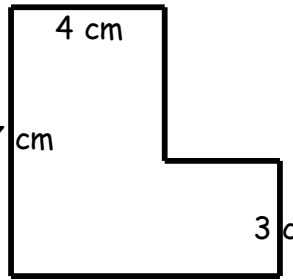
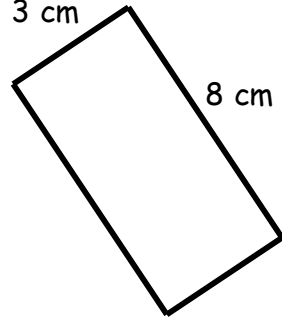
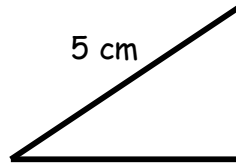
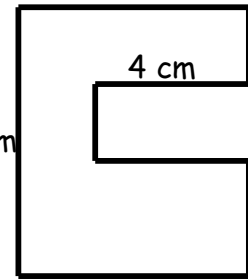


<p>A</p> 	<p>B</p> 	<p>C</p> 	<p>D</p> 	<p>1) Cut out all the cards 2) Sort the cards according to their shape 3) Stick the cards in groups in your book 4) By the side of each shape work out its area and perimeter</p>
<p>E</p> 	<p>F</p> 	<p>G</p> 	<p>H</p> 	<p>I</p> 
<p>J</p> 	<p>K</p> 	<p>L</p> 	<p>M</p> 	<p>N</p> 
<p>Area of square/rectangle base x height</p>	<p>Area of triangle base x height ÷ 2</p>	<p>Area of parallelogram base x height</p>	<p>Area of trapezium add parallel sides x height ÷ 2</p>	<p>Area of compound shape Split into shapes</p>